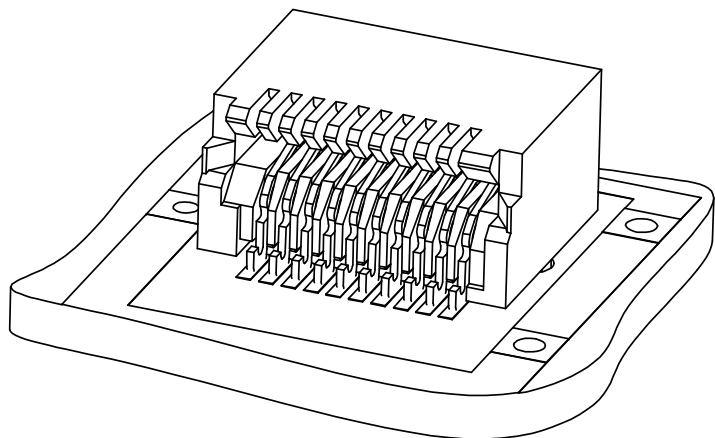


SALES ASSEMBLY DRAWINGS FOR SMALL FORM-FACTOR AND Z AXIS PLUGGABLE CONNECTORS

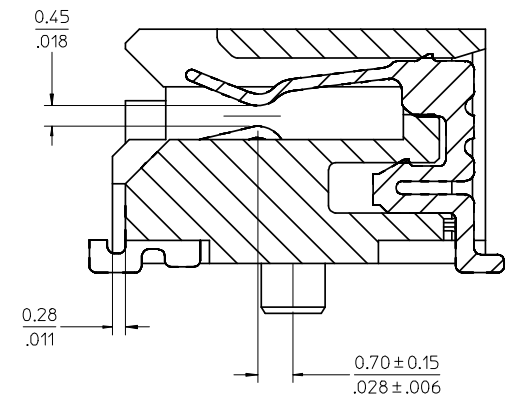
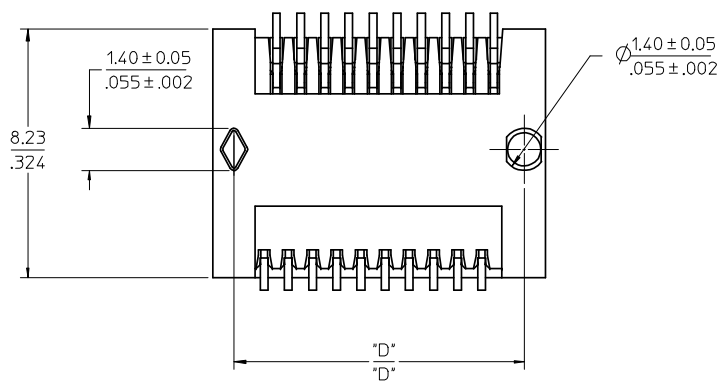
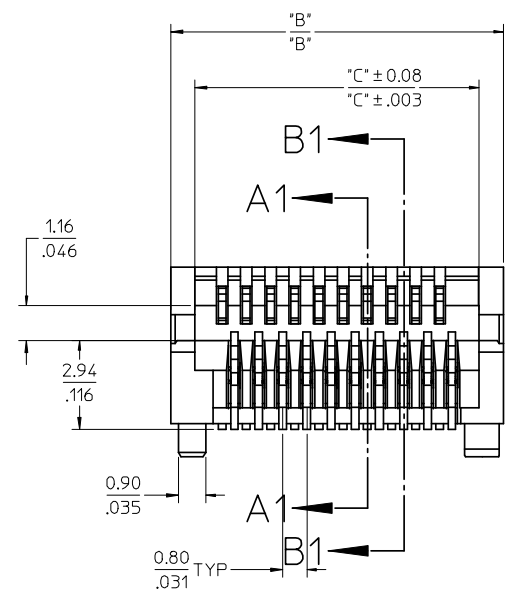
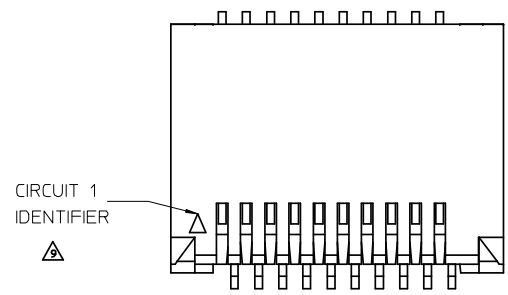
CKT SIZE	PART NUMBER	TOOLED	DESCRIPTION	*A*	*B*	*C*	*D*	MULTI-SOURCE AGREEMENT	CONNECTOR DRAWING	CIRCUIT BOARD DRAWING
20	74441-0001	YES	PLATED PER NOTE 2	1.10/.043	11.00/.433	9.40/.370	9.60/.378	SFP	PAGE 2	PAGE 3
	74441-0004	NO*	PLATED PER NOTE 2	0.76/.030						
	74441-0010	YES	PLATED PER NOTE 3	1.10/.043						
	74441-0014	NO*	PLATED PER NOTE 3	0.76/.030						
	74441-0021	YES	PLATED PER NOTE 4	1.10/.043						
	74441-0031	YES	PLATED PER NOTE 5	1.10/.043						
30	74441-0007	YES	PLATED PER NOTE 2	1.10/.043	15.00/.591	13.40/.528	13.60/.535	XFP	PAGE 2	PAGE 4
	74441-0017	YES	PLATED PER NOTE 3	1.10/.043						
	74441-0027	YES	PLATED PER NOTE 4	1.10/.043						
40	74441-0005	YES	PLATED PER NOTE 2	1.10/.043	19.00/.748	17.40/.685	17.60/.693		PAGE 2	PAGE 5
	74441-0015	YES	PLATED PER NOTE 3	1.10/.043						
	74441-0025	YES	PLATED PER NOTE 4	1.10/.043						
50	74441-0008	YES	PLATED PER NOTE 2	1.10/.043	23.00/.906	21.4/.843	21.6/.850		PAGE 2	PAGE 6
	74441-0018	YES	PLATED PER NOTE 3	1.10/.043						
	74441-0028	YES	PLATED PER NOTE 4	1.10/.043						
	74441-0038	YES	PLATED PER NOTE 5	1.10/.043						
70	74441-0003	YES	PLATED PER NOTE 2	1.10/.043	31.00/1.220	29.40/1.157	29.60/1.165	XENPAK XPAK X2	PAGE 2	PAGE 7
	74441-0013	YES	PLATED PER NOTE 3	1.10/.043						
	74441-0023	YES	PLATED PER NOTE 4	1.10/.043						
	74441-0033	YES	PLATED PER NOTE 5	1.10/.043						

NOTES

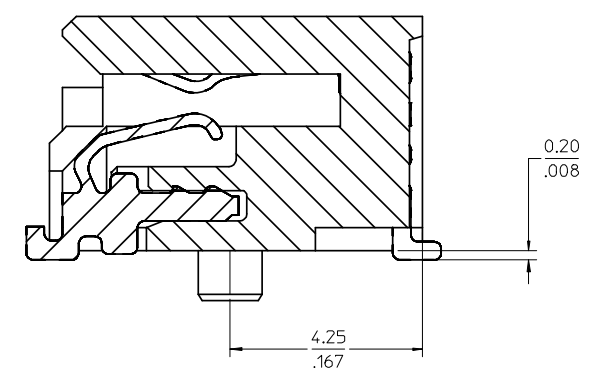
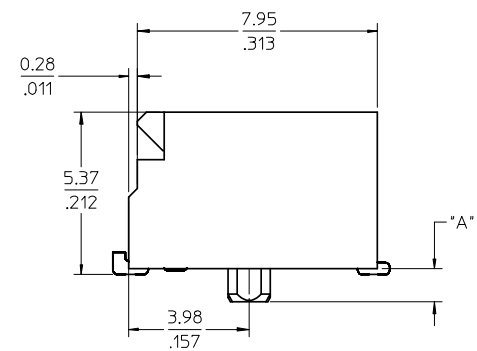
- MATERIAL:
HOUSING - HIGH TEMPERATURE THERMOPLASTIC GLASS FILLED, UL 94V-0, BLACK
TERMINALS - COPPER ALLOY
- PLATING:
CONTACT AREA - 0.38 μ m MIN GOLD OVER 2.54 μ m MIN NICKEL
SOLDER FOOT AREA - 2.54 - 5.09 μ m TIN OVER 2.54 μ m MIN NICKEL.
- PLATING:
CONTACT AREA - 0.76 μ m MIN GOLD OVER 2.54 μ m NICKEL
SOLDER AREA - 2.54 - 5.09 μ m TIN OVER 2.54 μ m MIN NICKEL
- PLATING:
CONTACT AREA - 0.76 μ m MIN GOLD OVER 2.54 μ m NICKEL, LUBRICATED
SOLDER AREA: GOLD FLASH OVER 2.54 μ m MIN NICKEL.
- PLATING:
CONTACT AREA - 0.76 μ m MIN GOLD OVER 2.54 μ m NICKEL,
SOLDER AREA: GOLD FLASH OVER 2.54 μ m MIN NICKEL.
- TERMINAL SOLDER FEET TO BE COPLANAR WITHIN 0.10/.004 FOR 20, 30 AND 40 CIRCUIT CONNECTORS
TERMINAL SOLDER FEET TO BE COPLANAR WITHIN 0.15/.006 FOR 70 CIRCUIT CONNECTOR
- * CONTACT PLANT FOR MORE INFORMATION
- DATE CODE: 4 DIGIT (3 DIGIT DATE, 1 DIGIT YEAR)
- CIRCUIT 1 IDENTIFIER LOCATED ON ALL PART NUMBERS



UCP2008-1593 EC NO: UCP2008-1593 DRWN:BSMART 2008/01/21 CHKD:BBARKER 2008/05/06 APPR:SMILLER 2008/07/08	DESCRIPTION REV	QUALITY SYMBOLS	GENERAL TOLERANCES (UNLESS SPECIFIED)	SCALE 1:1	DESIGN UNITS METRIC	THIRD ANGLE PROJECTION	REVISE ON CAD ONLY	
		∇ 0 ∇ C 0	mm	INCH	DIMENSION STYLE		TITLE	
			4 PLACES \pm ---	\pm ---	MM/IN		SALES ASSEMBLY Z AXIS PLUGGABLE PCB CONNECTOR	
			3 PLACES \pm ---	\pm ---	DRAWN BY	DATE	MOLEX INCORPORATED	
		2 PLACES \pm 0.13	\pm .005	HAVEY	00/04/06	MATERIAL NO. DOCUMENT NO. SHEET NO.		
		1 PLACE \pm 0.25	\pm .010	CHECKED BY	DATE	SEE CHART SD-74441-001 1 OF 7		
		ANGULAR \pm 1/2°		KSWEENEY	00/04/06	THIS DRAWING CONTAINS INFORMATION THAT IS PROPRIETARY TO MOLEX INCORPORATED AND SHOULD NOT BE USED WITHOUT WRITTEN PERMISSION		
		DRAFT WHERE APPLICABLE		APPROVED BY	DATE			
		MUST REMAIN WITHIN DIMENSIONS		MBANAKIS	00/04/06			

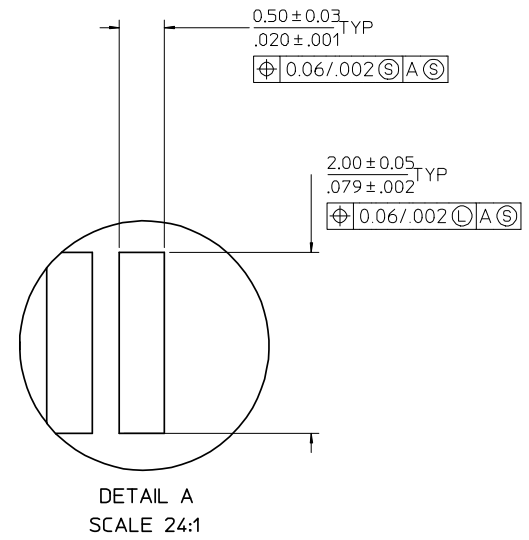
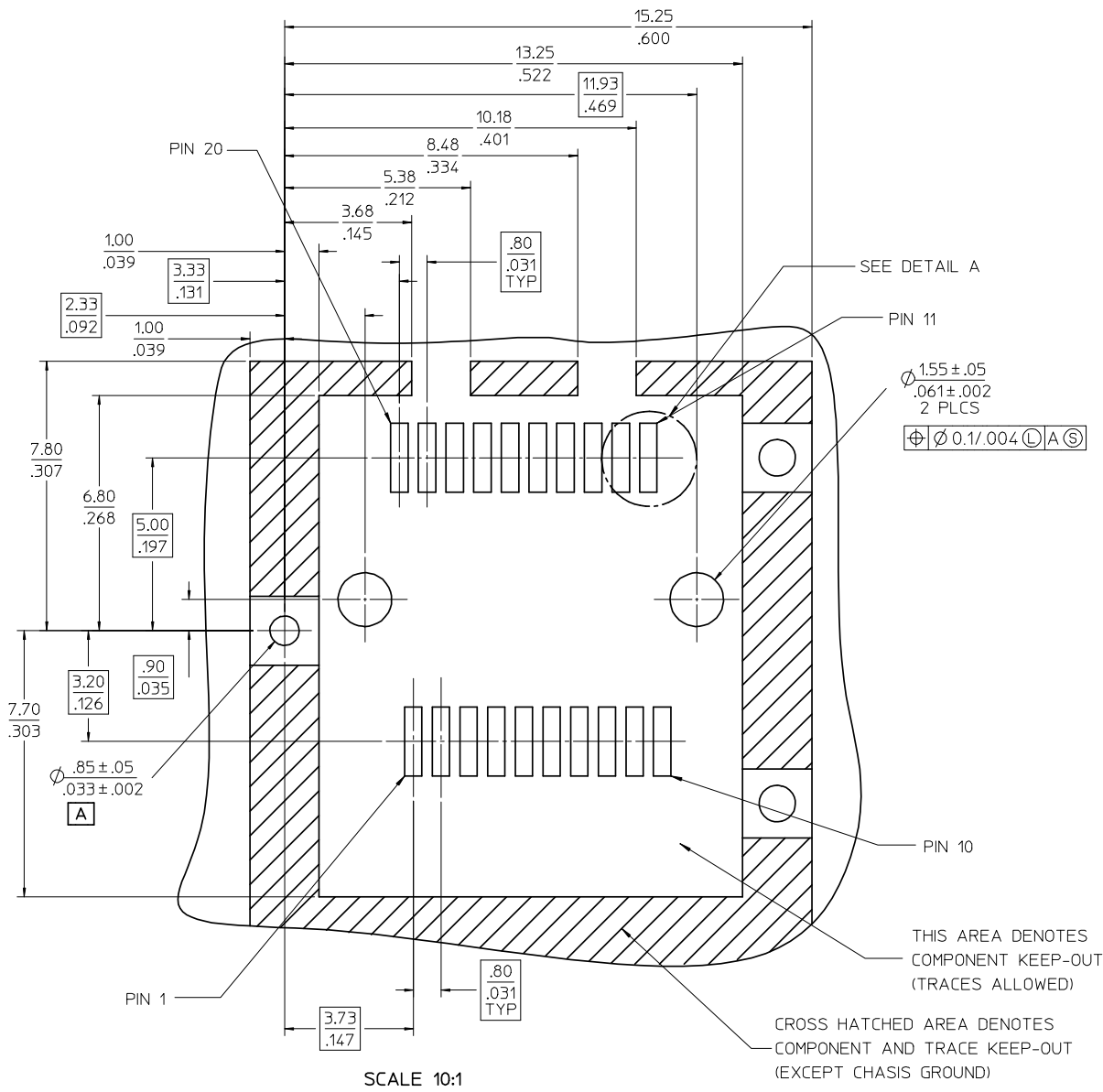


SECTION A1-A1
SCALE 12:1



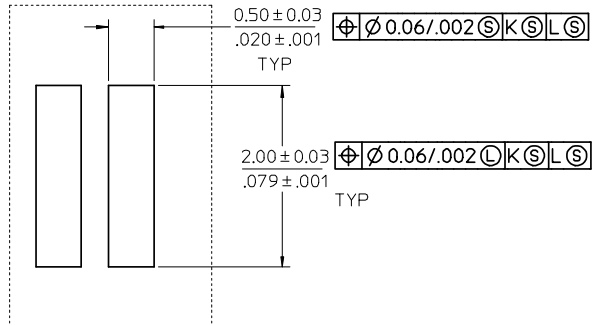
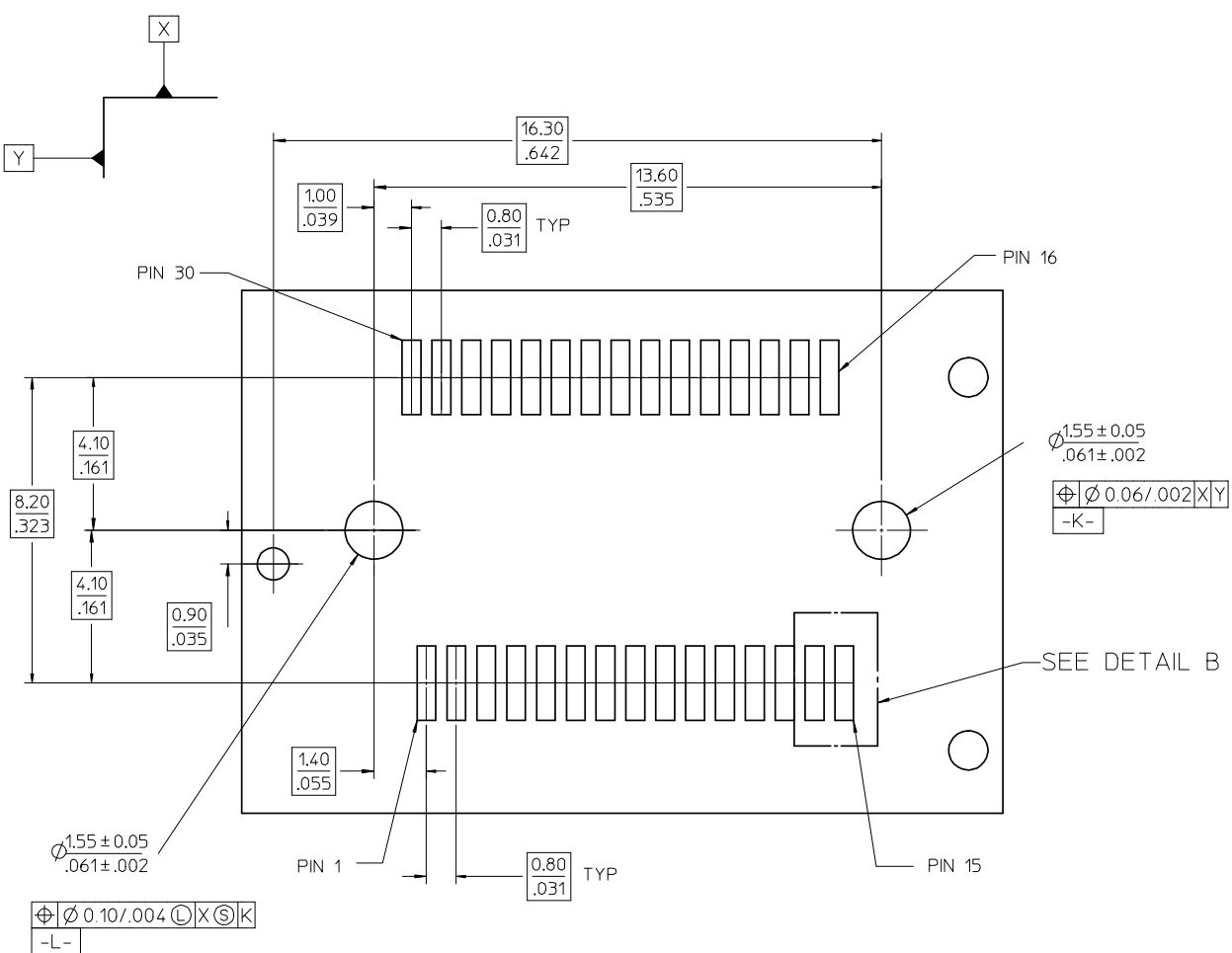
SECTION B1-B1
SCALE 12:1

EC NO: UCP2008-1593 DRWN: BSMART 2008/01/21 CHK: SMILLER 2008/05/06 APPR: DC_LISLE 2008/07/08	QUALITY SYMBOLS	GENERAL TOLERANCES (UNLESS SPECIFIED)		SCALE 6:1	DESIGN UNITS METRIC	THIRD ANGLE PROJECTION	REVISE ON CAD ONLY			
	▼ 0 ∇ 0	mm		INCH		DIMENSION STYLE		SALES ASSEMBLY Z AXIS PLUGGABLE PCB CONNECTOR		
		4 PLACES ± --- ± ---		3 PLACES ± --- ± ---		MM/IN		DRAWN BY DATE		
		2 PLACES ± 0.13 ± .005		1 PLACE ± 0.25 ± .010		ANGULAR ± 1/2 °		HIVERY 00/04/06		CHECKED BY DATE
S	DRAFT WHERE APPLICABLE MUST REMAIN WITHIN DIMENSIONS		APPROVED BY DATE		MATERIAL NO.		DOCUMENT NO.		SHEET NO.	
			MBANAKIS 00/04/06		SEE CHART		SD-74441-001		2 OF 7	
	THIS DRAWING CONTAINS INFORMATION THAT IS PROPRIETARY TO MOLEX INCORPORATED AND SHOULD NOT BE USED WITHOUT WRITTEN PERMISSION									C



20 CIRCUIT MOTHER BOARD
RECOMMENDED PCB LAYOUT

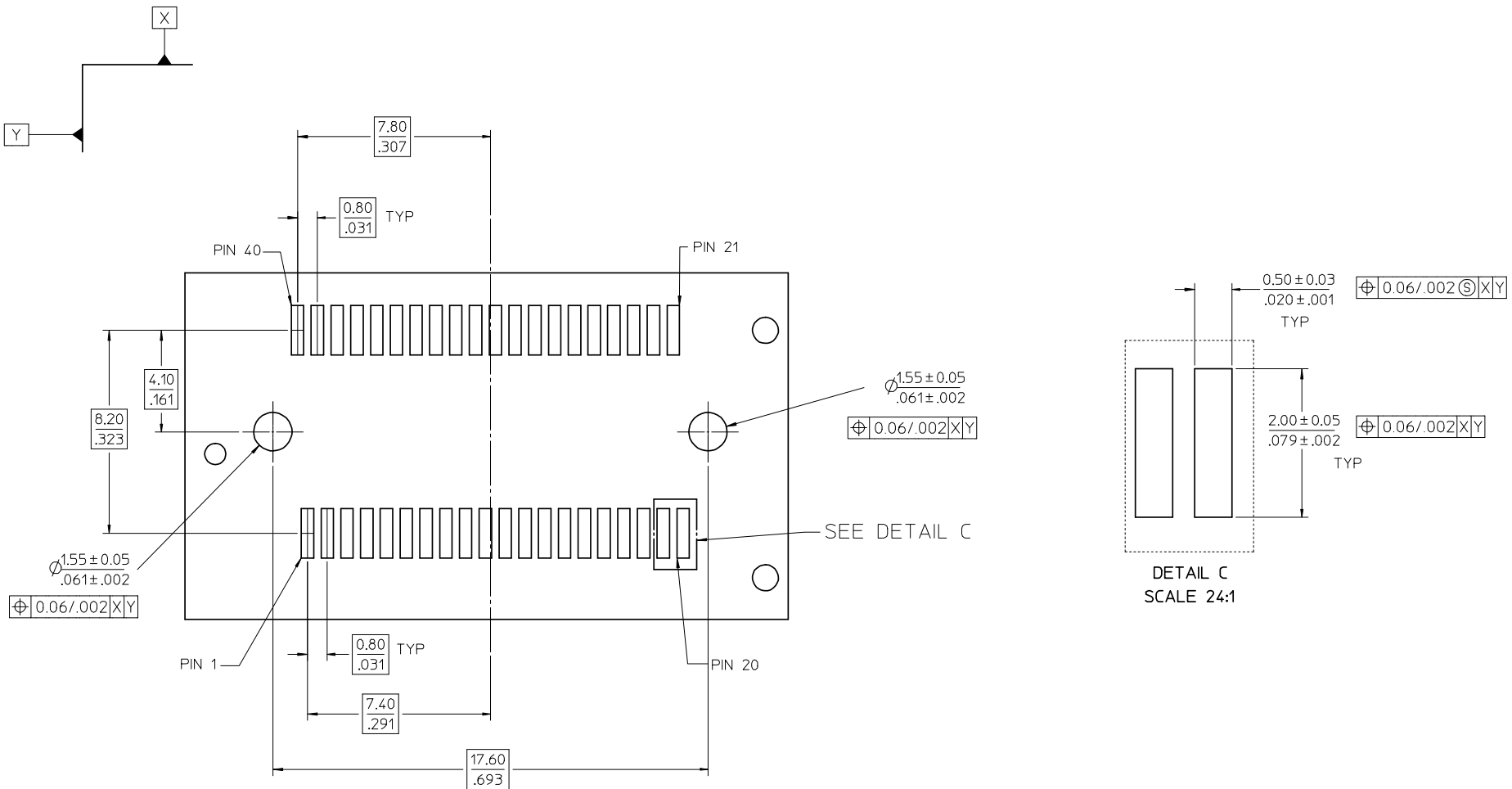
EC NO: UCP2008-1593 DRW: BSMWART 2008/01/21 CHK: SWILLER 2008/05/06 APPR: DC_LISLE 2008/07/08	QUALITY SYMBOLS	GENERAL TOLERANCES (UNLESS SPECIFIED)	SCALE 8:1	DESIGN UNITS METRIC	THIRD ANGLE PROJECTION	REVISE ON CAD ONLY	
	▼ -0	mm INCH	DIMENSION STYLE MM/IN		SALES ASSEMBLY Z AXIS PLUGGABLE PCB CONNECTOR		
	▽ -0	4 PLACES ± --- ± ---	3 PLACES ± --- ± ---	2 PLACES ± 0.13 ± 0.005			1 PLACE ± 0.25 ± 0.10
	∠ ± 1/2 °	ANGULAR ± 1/2 °					
REV DESCRIPTION	DRAFT WHERE APPLICABLE MUST REMAIN WITHIN DIMENSIONS	APPROVED BY DATE MBANAKIS 00/04/06	APPROVED BY DATE KSWENEY 00/04/06	MATERIAL NO. SEE SHT 1	DOCUMENT NO. SD-74441-001	SHEET NO. 3 OF 7	
THIS DRAWING CONTAINS INFORMATION THAT IS PROPRIETARY TO MOLEX INCORPORATED AND SHOULD NOT BE USED WITHOUT WRITTEN PERMISSION						C	



DETAIL B
SCALE 24:1

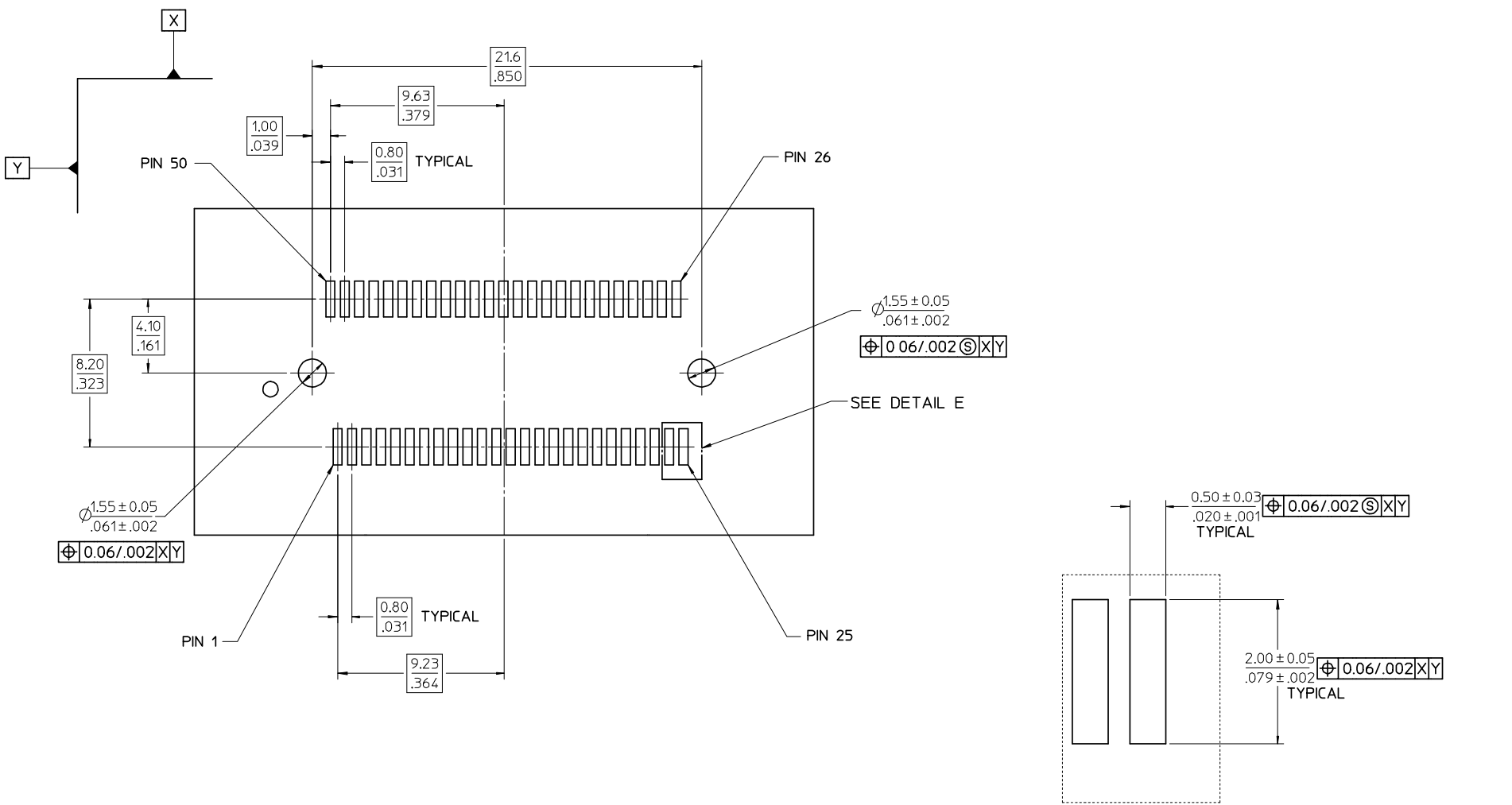
30 CIRCUIT MOTHER BOARD
RECOMMENDED PCB LAYOUT

EC NO: UCP2008-1593 DRWN:BSMART 2008/01/21 CHKD:BBARKER 2008/05/06 APPR: SMILLER 2008/07/08	QUALITY SYMBOLS	GENERAL TOLERANCES (UNLESS SPECIFIED)		SCALE 6:1	DESIGN UNITS METRIC	THIRD ANGLE PROJECTION	REVISE ON CAD ONLY
	▽ = 0 ∇ = 0		mm	INCH	DIMENSION STYLE MM/IN		TITLE
		4 PLACES	± ---	± ---	DRAWN BY DATE		SALES ASSEMBLY Z AXIS PLUGGABLE PCB CONNECTOR
		3 PLACES	± ---	± ---	HAVERY 00/04/06		
	2 PLACES	± 0.13	± .005	CHECKED BY DATE		MOLEX INCORPORATED	
	1 PLACE	± 0.25	± .010	KSWENEY 00/04/06			
		ANGULAR ± 1/2°		APPROVED BY DATE		MATERIAL NO.	DOCUMENT NO.
		DRAFT WHERE APPLICABLE MUST REMAIN WITHIN DIMENSIONS		MBANAKIS 00/04/06		SEE CHART	SD-74441-001
				THIS DRAWING CONTAINS INFORMATION THAT IS PROPRIETARY TO MOLEX INCORPORATED AND SHOULD NOT BE USED WITHOUT WRITTEN PERMISSION		SHEET NO. 4 OF 7	



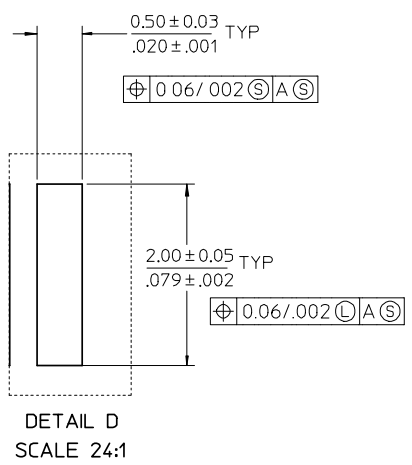
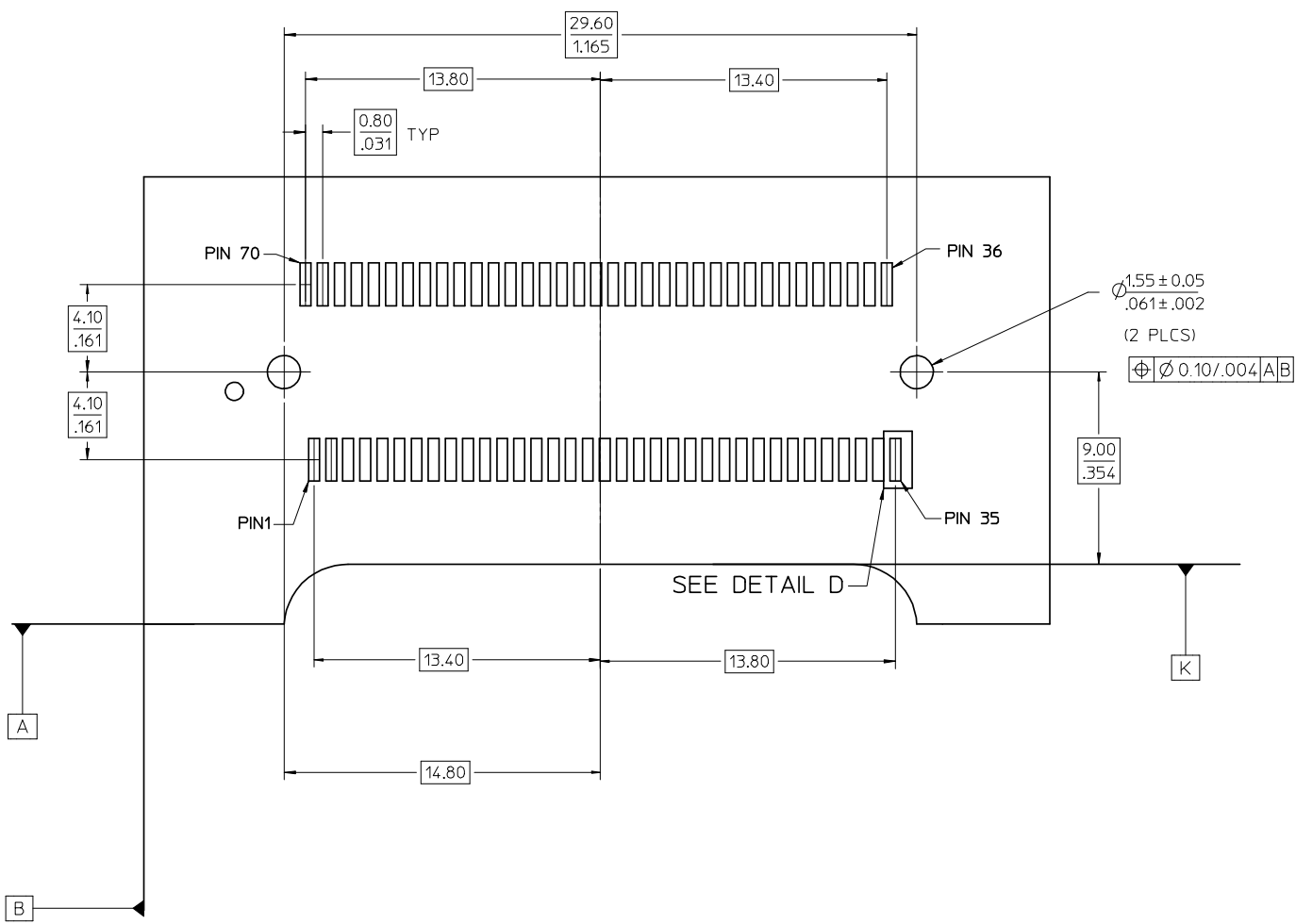
40 CIRCUIT MOTHER BOARD
RECOMMENDED PCB LAYOUT

EC NO: UCP2008-1593 DRWN:BSMART 2008/01/21 CHKD:BBARKER 2008/05/06 APPR:SMILLER 2008/07/08	QUALITY SYMBOLS	GENERAL TOLERANCES (UNLESS SPECIFIED)		SCALE 6:1	DESIGN UNITS METRIC	THIRD ANGLE PROJECTION	REVISE ON CAD ONLY	
	▼ = 0 ∇ = 0		mm	INCH	DIMENSION STYLE MM/IN		TITLE	
		4 PLACES	± ---	± ---	DRAWN BY HAVERY		DATE 00/04/06	SALES ASSEMBLY Z AXIS PLUGGABLE PCB CONNECTOR
		3 PLACES	± ---	± ---	CHECKED BY KSWEENEY		DATE 00/04/06	
2 PLACES	± 0.13	± .005	APPROVED BY MBANAKIS		DATE 00/04/06	MOLEX INCORPORATED MATERIAL NO. SEE CHART DOCUMENT NO. SD-74441-001		
1 PLACE	± 0.25	± .010	DRAFT WHERE APPLICABLE MUST REMAIN WITHIN DIMENSIONS			SHEET NO. 5 OF 7		
		ANGULAR ±1/2°		THIS DRAWING CONTAINS INFORMATION THAT IS PROPRIETARY TO MOLEX INCORPORATED AND SHOULD NOT BE USED WITHOUT WRITTEN PERMISSION				



50 CIRCUIT MOTHER BOARD
RECOMMENDED PCB LAYOUT

EC NO: UCP2008-1593 DRWN:BSMART 2008/01/21 CHKD:BBARKER 2008/05/06 APPR:SMILLER 2008/07/08	QUALITY SYMBOLS	GENERAL TOLERANCES (UNLESS SPECIFIED)		SCALE 6:1	DESIGN UNITS METRIC	THIRD ANGLE PROJECTION	REVISE ON CAD ONLY
	▼ = 0 ∇ = 0		mm	INCH	DIMENSION STYLE MM/IN		TITLE
		4 PLACES	± ---	± ---			SALES ASSEMBLY Z AXIS PLUGGABLE PCB CONNECTOR
		3 PLACES	± ---	± ---			
2 PLACES	± 0.13	± .005			MOLEX INCORPORATED MATERIAL NO. SEE CHART DOCUMENT NO. SD-74441-001		
1 PLACE	± 0.25	± .010				SHEET NO. 6 OF 7	
		ANGULAR ± 1/2°		APPROVED BY DATE MBANAKIS 00/04/06		THIS DRAWING CONTAINS INFORMATION THAT IS PROPRIETARY TO MOLEX INCORPORATED AND SHOULD NOT BE USED WITHOUT WRITTEN PERMISSION	
		DRAFT WHERE APPLICABLE MUST REMAIN WITHIN DIMENSIONS					



70 CIRCUIT MOTHER BOARD
RECOMMENDED PCB LAYOUT

EC NO: UCP2008-1593 DRWN:BSMART 2008/01/21 CHKD:BBARKER 2008/05/06 APPR:SMILLER 2008/07/08	QUALITY SYMBOLS ▽ = 0 ∇ = 0	GENERAL TOLERANCES (UNLESS SPECIFIED)		SCALE 6:1	DESIGN UNITS METRIC	THIRD ANGLE PROJECTION	REVISE ON CAD ONLY		
		4 PLACES ± --- ± ---	3 PLACES ± --- ± ---	DIMENSION STYLE MM/IN		TITLE SALES ASSEMBLY Z AXIS PLUGGABLE PCB CONNECTOR			
		2 PLACES ± 0.13 ± .005	1 PLACE ± 0.25 ± .010	DRAFT WHERE APPLICABLE MUST REMAIN WITHIN DIMENSIONS		DRAWN BY HAVERY DATE 00/04/06	CHECKED BY KSWEENEY DATE 00/04/06	MOLEX INCORPORATED	
		ANGULAR ± 1/2°		APPROVED BY MBANAKIS DATE 00/04/06	MATERIAL NO. SEE CHART	DOCUMENT NO. SD-74441-001	SHEET NO. 7 OF 7	THIS DRAWING CONTAINS INFORMATION THAT IS PROPRIETARY TO MOLEX INCORPORATED AND SHOULD NOT BE USED WITHOUT WRITTEN PERMISSION	